



Electric Start Power Washer

Parts Manual

Models: G0088941 and G0088951

 **WARNING**

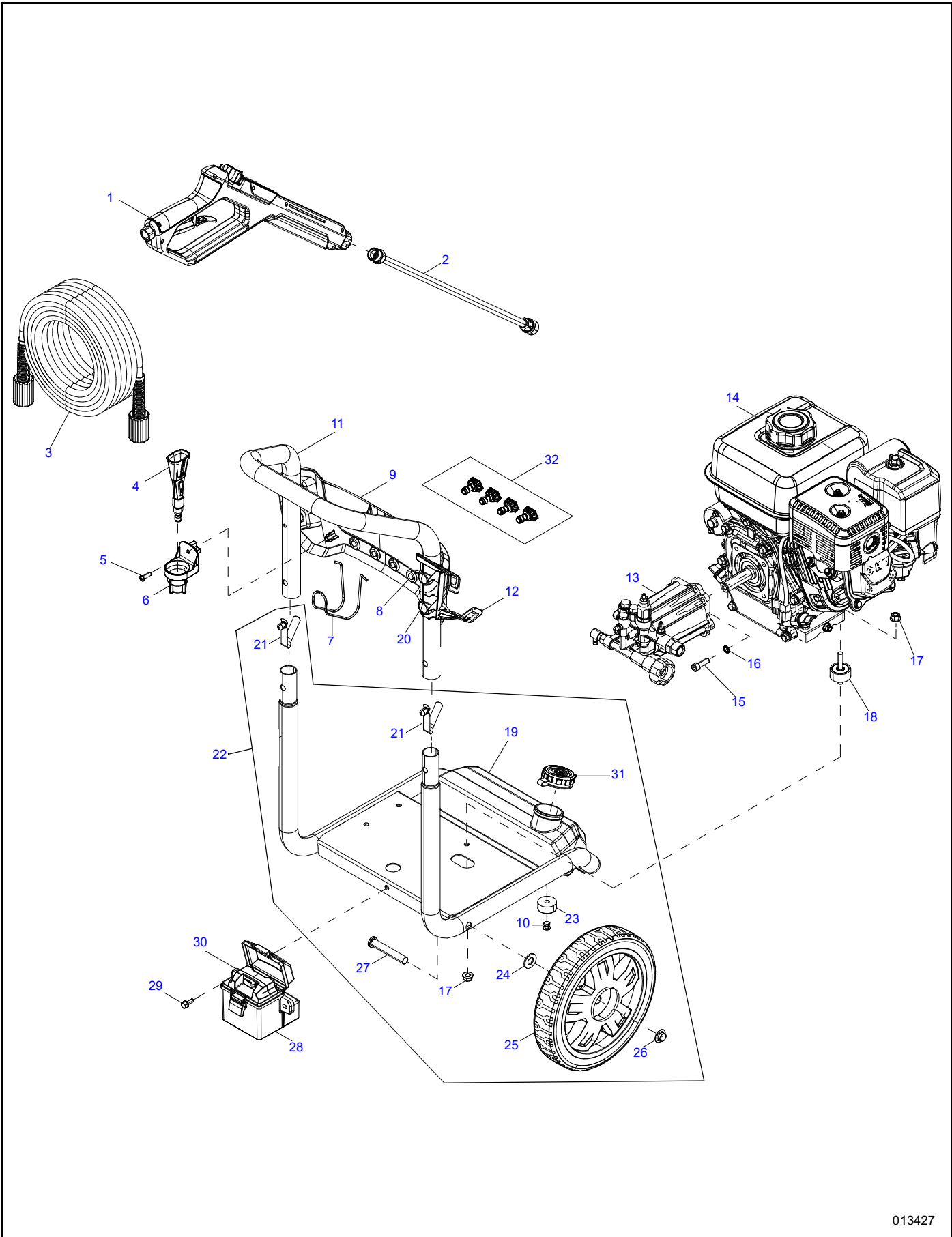
CANCER AND REPRODUCTIVE HARM

www.P65Warnings.ca.gov

(000393a)

The information in this manual is known to be accurate as of the date of release shown on the cover. However, engineering changes can occur without notice. To obtain the proper parts, be sure to use the serial number of the unit being serviced when ordering from this manual. Always refer to any part notes and changes before ordering. All other parts not shown in the manual can be found on Generac's exploded view drawings at www.generac.com or by contacting your local authorized dealer.

www.generac.com or 1-888-GENERAC



013427

QUICK REFERENCE GUIDE

| Engine Size | Fuel | Engine Part No. |
|-------------|----------|-----------------------------------|
| 196CC | GASOLINE | A0001434923 (G0088941 & G0088951) |

QUICK REFERENCE PARTS

| Description | Part No. | Special Notes |
|--------------------|------------|---------------|
| Air Filter Element | 0K22930120 | |
| Spark Plug | 0K84300191 | |
| Spark Arrestor | 0K9667 | |

| ITEM | PART NO. | DESCRIPTION | QTY |
|------|-------------|---|-----|
| 1 | 0H9642A | GUN ASSY - GC (MODEL G0088941) | 1 |
| | 10000009382 | GUN VP M22 ORANGE W/ICONS- (MODEL G0088951) | 1 |
| 2 | 0H9640 | LANCE ASSY- 20" LONG | 1 |
| 3 | 0K0921 | HOSE, 25'X1/4" OD W/ M22 CONN 3100 (MODEL G0088941) | 1 |
| | 10000038679 | HOSE, 25'X1/4"OD W/ M22 CONN (MODEL G0088951) | 1 |
| 4 | 0L3579 | PW FOAMER QC (IF EQUIPPED) | 1 |
| 5 | 0J1545 | SCREW, SBHC HI-LO M6-2.5X19MM | 1 |
| 6 | A0001482854 | HOLDER, SPRAY ACCESSORY (IF EQUIPPED) | 1 |
| 7 | 0J3052 | HOOK, HOSE | 1 |
| 8 | 0J3079 | GROMMET, NOZZLE | 4 |
| 9 | ORDER #12 | BILLBOARD NOZZLE | 2 |
| 10 | ORDER #22 | RIVET, POP.25 | 7 |
| 11 | A0002051371 | KIT, RESI PW HANDLE W/DECAL (INCLUDES ITEMS 9, 10) | 1 |
| 12 | 0L4738 | HOLSTER, GUN BLACK (MODEL G0088941) | 1 |
| | 0L6431 | HOLSTER VP GUN (MODEL G0088951) | 1 |
| 13 | 0K1663 | PUMP, AXIAL | 1 |
| 14 | A0001434923 | ENGINE 196CC CARB ES | 1 |
| 15 | 0J3315 | SCREW, SHC (M8-1.25X25) C8.8 ZP | 4 |

| ITEM | PART NO. | DESCRIPTION | QTY |
|------|-------------|--------------------------------------|-----|
| 16 | G092479 | WASHER, LOCK (M8) RIBBED | 4 |
| 17 | G067989 | NUT, HEX FL WHIZ (M8-1.25) | 8 |
| 18 | G021217 | MOUNT, VIBRATION | 4 |
| 19 | ORDER #22 | TANK, CHEMICAL | 1 |
| 20 | 0J1449 | FASTENER, RIBBED SHANK CHRISTMAS T | 2 |
| 21 | 0G5442 | BUTTON, SNAP | 2 |
| 22 | A0001677387 | KIT, CRADLE W/ CHEMICAL TANK | 1 |
| 23 | ORDER #22 | MOUNT, VIBRATION | 1 |
| 24 | 101791 | WASHER, 1/2 USS | 2 |
| 25 | 0J6276 | WHEEL, 10X1.75X0.5 DIA | 2 |
| 26 | 0K9974 | NUT, PUSH 1/2" | 2 |
| 27 | A0001272638 | PIN, AXLE | 2 |
| 28 | 10000018924 | ASSY, BATTERY BOX 12V LITHIUM ION | 1 |
| 29 | 0D6029 | SCREW, HHTT (M6) | 2 |
| 30 | 10000020303 | ASSY, BATTERY 12V LITHIUM ION | 1 |
| 31 | 0K4078A | CAP, CHEMICAL TANK | 1 |
| 32 | A0001706618 | KIT, NOZZLE 025/032 (MODEL G0088941) | 1 |
| | 0H9617R | KIT, NOZZLE 027/032 (MODEL G0088951) | 1 |
| N/S | 0C7649 | CLAMP, HOSE .38-.87 FOR PUMP ASSY. | 1 |
| N/S | 10000008337 | ASSY POWER BROOM (IF EQUIPPED) | 1 |
| N/S | 10000020284 | ASSY CHARGER BATTERY 12V L ION | 1 |

| ITEM | PART NO. | DESCRIPTION | QTY |
|------|-------------|----------------------------|-----|
| N/S | 0J1740 | HEX KEY 4 MM | 1 |
| N/S | 10000044632 | HOSE, CHEMICAL WITH FILTER | 1 |

N/S = Not Shown

NOTE: See manual A0001600313 for replacement engine parts.

NOTE: See manual 0K1663PMNL for replacement pump parts.

Part No. A0001600307 Rev. A 01/11/2022
©2022 Generac Power Systems, Inc.

All rights reserved.

Specifications are subject to change without notice.

No reproduction allowed in any form without prior written consent from Generac Power Systems, Inc.

GENERAC[®]

Generac Power Systems, Inc.
S45 W29290 Hwy. 59
Waukesha, WI 53189
1-888-GENERAC (1-888-436-3722)
www.generac.com